

## PWM pulse width modulation signal isolated transmitter

### Features:

- >> Accuracy grade: 0.1. Factory calibrated, the user can use directly
- >> Auxiliary power supply: 8-32 wide power supply
- >> PWM pulse width modulation signal input: 1Hz~10KHz
- >> International standard signal output: 0-5V / 0-10V/1-5V, 0-10mA / 0-20mA/4-20mA
- >> High linearity (non-linearity <0.2%)
- >> DIN35 rail mounting
- >> Size: 106.7x79.0x25.0mm
- >> Strong anti-electromagnetic interference and high-frequency signal interference capability

### Application:

- >> Digital signal to analog signal, DA transform
- >> Isolated 4-20mA or 0-20mA signal transmission
- >> Signal isolation and conversion of industrial site
- >> PWM signal without distortion transmission
- >> Instrument signal transceiver
- >> Power monitoring, medical equipment isolation
- >> Ground interference suppression
- >> PLC / FA motor control signal isolation
- >> Pulse width measurement



### Products Listing:

## DIN11 IAP – PWM□-V/A□

Output signal			
current	code	voltage	code
0-20ma	A3	0~5V	V1
4-20ma	A4	0-10V	V2
User-defined	Az	1-5V	V6
		User-defined	Vz

### Samples:

1. Input signal: 100Hz PWM    Power Supply: 24VDC    Output Signal: 4-20mA  
Type No.: DIN11 IAP-PWM-A4
2. Input signal: 5KHz PWM    Power Supply: 12VDC    Output Signal: 0-10V  
Type No.: DIN11 IAP-PWM-V2
3. Input signal: 10KHz PWM    Power Supply: 24VDC    Output Signal: 0-20mA  
Type No.: DIN11 IAP-PWM4- A3

**Absolute maximum ratings:**

Continuous isolation voltage: 3000VDC

Operating Temperature: +85°C

Storage Temperature: +85°C

Lead Temperature: +300°C (10 seconds)

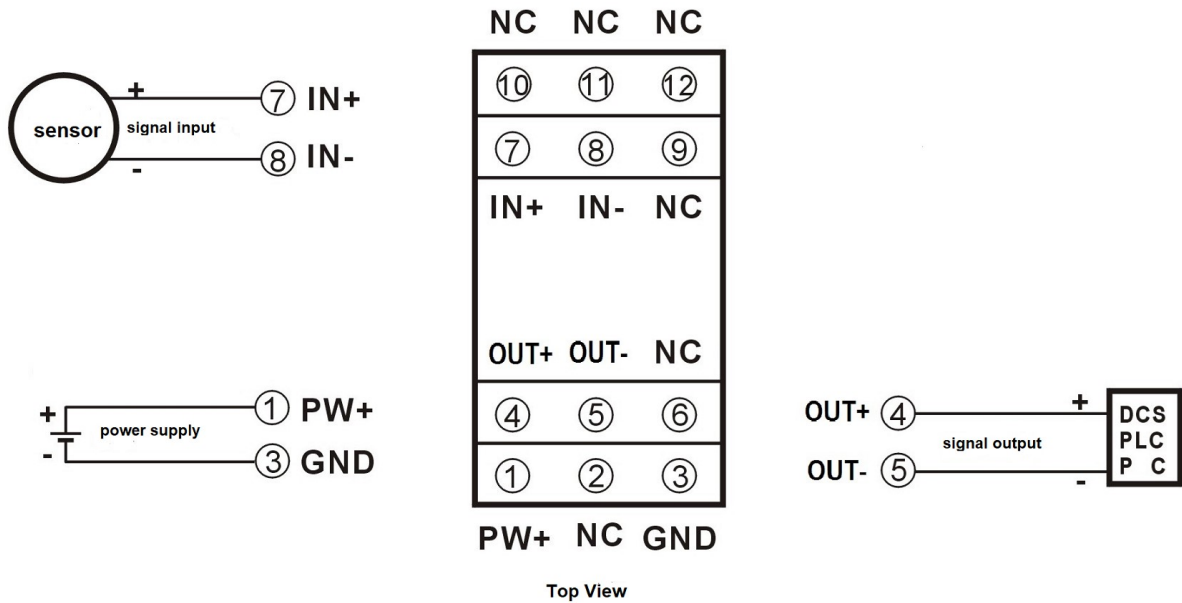
Note: if the product is above the range, the product may cause permanent damage.

**General Parameters:**

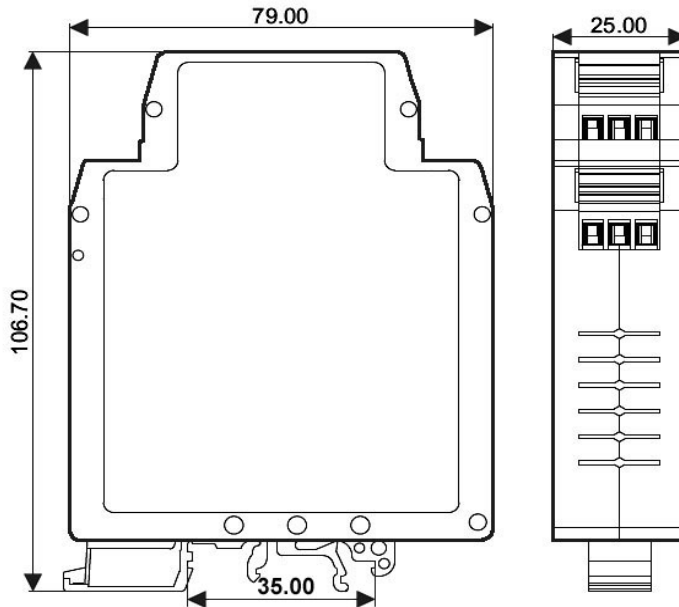
Name		Test conditions	MIN.	Typical	MAX.	Unit
Isolation voltage		1min	1500	2500	3000	VDC
Signal input	PWM amplitude (V <sub>p-p</sub> )		4.5	12	30	V
	PWM Frequency range		1	500	10000	Hz
	PWM Input low level		0	0	1.5	V
	PWM Input high level		4.5	12	30	V
Signal output	Voltage load capacity	5V	2K	10K		Ω
	Current load capacity	20mA	0	250	350	Ω
response time				100	10000	ms
Power supply	voltage	User-defined	8	12	32	VDC
	current	VD=12V		83		mA
Auxiliary power lost				1		W
Operating ambient temperature			-40		85	°C
Storage temperature			-40		85	°C

**Footprint and wire diagram:**

PIN	Name	Description	PIN	Name	Description
1	PW+	Power supply+	7	IN+	PWM signal input+
2	NC	No connecting	8	IN-	PWM signal input-
3	GND	Power supply-	9	NC	No connecting
4	OUT+	Signal output+	10	NC	No connecting
5	OUT-	Signal output-	11	NC	No connecting
6	NC	No connecting	12	NC	No connecting



Size (unit:mm) DIN35 rail-mounted



**Note:**

1. Before using, according to packing lists, and product labels, check the quantity, models and specifications
2. When measure the signal directly, please set the terminal tighten
3. There are no damaged insulation, conductive dust and corrosive fumes of metal in the environment
4. Installation pitch  $\geq 10\text{mm}$
5. We have adjusted well, do not adjust arbitrarily
6. Two years warranty. But if clients damage products by themselves or tear off any labels on the product, we can not exchange
7. Products can not been used in strong magnetic field
8. Internal no anti-lightning circuit
9. Specifications subject to change without notice