

Frequency to Analog Signal Isolated Converter

Features:

- >> Accuracy class: 0.2
- >> High linearity (non-linearity <0.1%)
- >> Three isolation: 2500VDC (auxiliary power / signal input / output signal)
- >> Power supply: 5VDC/12VDC/24VDC
- >> Input frequency signal 0-1KHz / 0-5KHz/0-10KHz
- >> output standard 0-2.5V/0-5V/0-10V voltage signal
or 0-10mA/0-20mA/4-20mA current signal
- >> Small size, the standard DIN35 rail installation
- >> Industrial temperature range: -20 to +85 °C
- >> Size: 79x106.7x25mm



Typical applications:

- >> Frequency sensor signal acquisition, isolated converter
- >> Inverter (FA) frequency signal acquisition
- >> Generators, motors and other rotating equipment
- >> Transformer frequency detection
- >> Instrumentation and sensor signal transceiver
- >> Non-power signal transmission

DIN IAP F-P-V (A) series frequency isolation transmitter, can change frequency signal to convert the standard isolated output signal(current/voltage) in proportion.

Product Listing:

DIN11 IAP – F□ - P□ – V(A)□

Input Signal		Power Supply		Output Signal			
Frequency	Code	Power	Code	Current	Code	Voltage	Code
0-1KHz	F1	24VDC	P1	0-20mA	A3	0-5V	V1
0-5KHz	F2	12VDC	P2	4-20mA	A4	0-10V	V2
0-10KHz	F3	5VDC	P3	User-defined	Au	1-5V	V6
User-defined	Fu	15VDC	P4			User-defined	Vu
		User-defined	Pu				

Samples:

- | | | | |
|------------------|------------------|---------------|--|
| 1. Input:0-1KHz | Power Supply:24V | Output:0-5V | Type No.:DIN11 IAP F1-P1-V1 |
| 2. Input:0-5KHz | Power Supply:12V | Output:4-20mA | Type No.:DIN11 IAP F2-P2-A4 |
| 3. Input:0-10KHz | Power Supply:24V | Output:0-10V | Type No.:DIN11 IAP F3-P1-V2 |
| 4. Input:0-10KHz | Power Supply:24V | Output:4-20mA | Type No.:DIN11 IAP F3-P1-A4 |
| 5. Input:0-3KHz | Power Supply:24V | Output:0-10V | Type No.:DIN11 IAP Fu-P1-V2(Fu:0-3KHz) |

Max Input Character:

Continuous Isolated voltage:	3000VDC
Auxiliary power input voltage range:	±10%Vin
Welding temperature(Within 10 seconds):	+300°C
Remark: The input exceeds the above range may cause permanent damage to the chip	

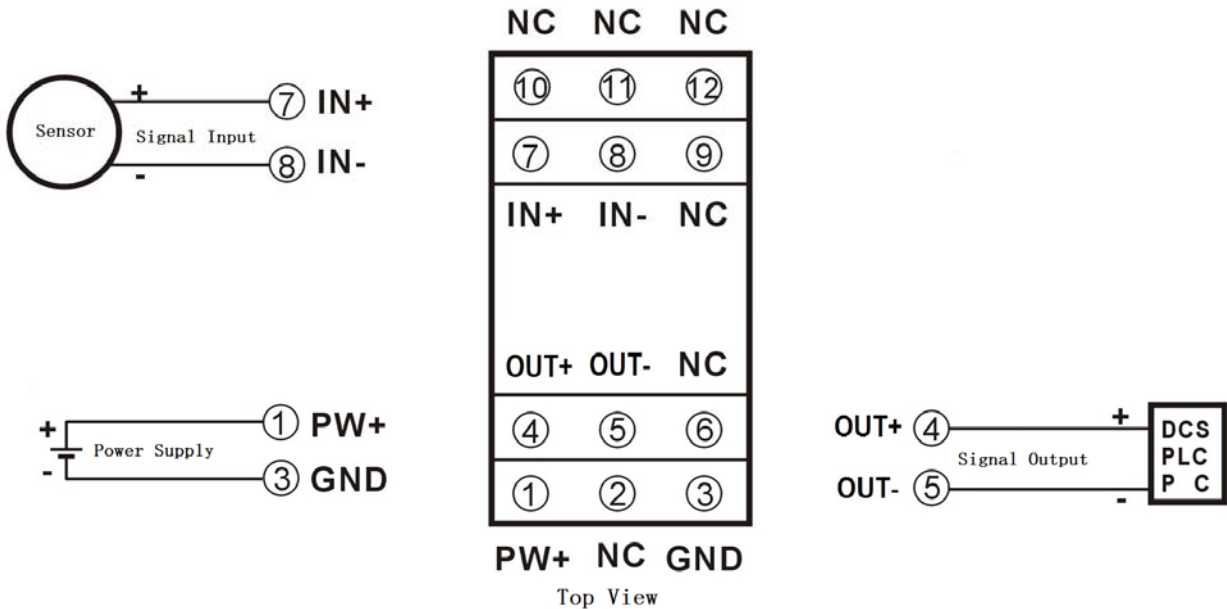
Technical Parameter:

Parameter Name		Test Condition	MIN.	TYP	MAX.	Unit
Isolated Voltage		1min	1500	2500		VDC
Input Signal	Amplitude ($V_{p,p}$)			5		V
	Frequency testing range		0	10		kHz
	Frequency input Low level		0	0	1.5	V
	Frequency input High level		3	5	24	V
Output Signal	voltage load capacity	5V	2K	10K		Ω
	Current load capacity	20mA	0	250	350	Ω
Response Time				10		ms
Power supply	Voltage	User-defined	5	12	24	VDC
	Current	VD=12V		83		mA
Power Supply Loss				1		W
Work Environment Temperatuer			-25		85	$^{\circ}\text{C}$
Storage Temperature			-25		85	$^{\circ}\text{C}$

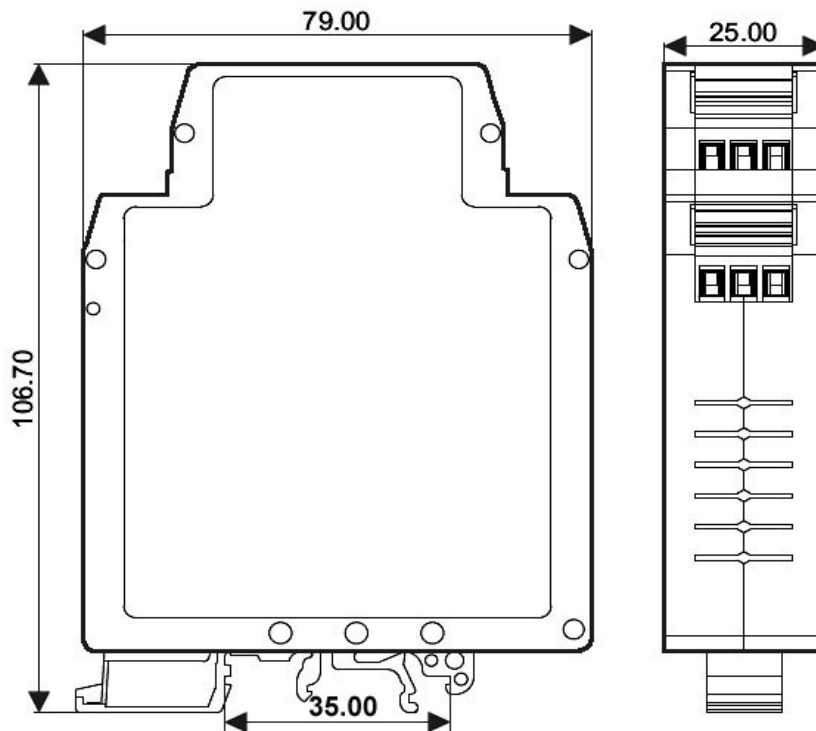
Note: It is best that frequency signal adopts 5V TTL

Pin Definitions:

Pin	Name	Described	Pin	Name	Described
1	PW+	Power supply+	7	IN+	Frequency signal input +
2	NC	No Pin	8	IN-	Frequency signal input -
3	GND	Power supply-	9	NC	No Pin
4	OUT+	Signal output +	10	NC	No Pin
5	OUT-	Signal output -	11	NC	No Pin
6	NC	No Pin	12	NC	No Pin



Size(mm):



DIN35 Mounted

Note:

1. Before using, according to packing lists, and product labels, check the quantity, models and specifications
2. When measure the signal directly, please set the terminal tighten
3. There are no damaged insulation, conductive dust and corrosive fumes of metal in the environment
4. Installation pitch $\geq 10\text{mm}$
5. We have adjusted well, do not adjust arbitrarily
6. Warranty: two years. But if clients damage products by themselves or tear off any labels on the product, we can not exchange
7. Products can not been used in strong magnetic field
8. Internal no anti-lightning circuit
9. Specifications subject to change without notice

Warranty

Two Years

Copyright

Copyright © 2010 Shenzhen WAYJUN Industrial Automation